

LED Driver

Product Specifications

ANZ#: Z094e, February 15, 2006

LP1040-xx Series	
Switch-Mode LED Driver	
Total Power	40 Watts
Input Voltages	90 ~ 264VAC
Number of Outputs	One

SPECIAL FEATURES

- UL1310, Class 2 and UL48 compliant
- Single output, ranged from 10V up to 24VDC
- IP66 compliant
- Suitable for damp location
- Designed for outdoor or indoor applications
- Suitable in standard electrical junction boxes
- Compact, lightweight
- Active PFC reduces power consumption

ENVIRONMENTAL

Operating temperature: -30 to 60 °C
 (De-rating : 1% per ° C from 60~70°C)
 Storage temperature: -40 to 85 °C
 Humidity (Non-Condensing): 5% to 95%
 Cooling: Convection
 Vibration Frequency: 5 to 50 Hz
 MTBF: >100,000 Hours at full load and 25°C
 ambient conditions (MIL-217F)
 EMC : Compliant to 47CFR, Part 2, Part15 and
 Cispr PUB, 22 Class B

ELECTRICAL SPECIFICATIONS

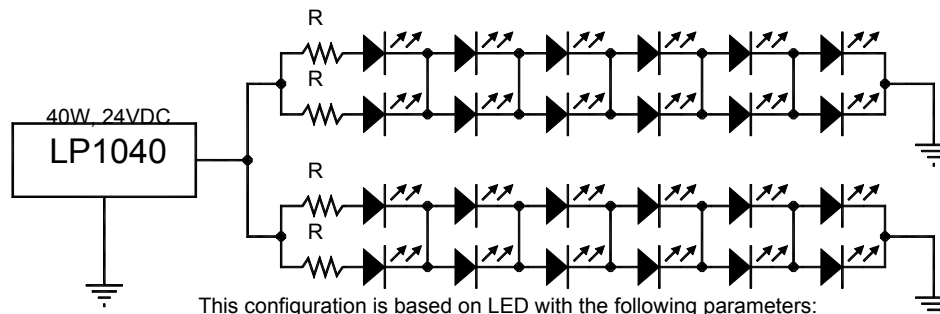
Input range 90 ~ 264 VAC
 Frequency 47 to 63 Hz
 Power Factor > 0.90 at full load, 115VAC
 Crest Factor 1.5 max.
 Inrush current 30.0 Amps maximum at 230VAC, cold start, 25° C
 Input current 0.50 Amps maximum at 115VAC
 Efficiency 85% typical at maximum load
 EMI filtering 47CFR, Part 2, Part 15 and Cispr PUB, 22 Class B
 Maximum power 40W
 Current Accuracy ±1% (when applicable)
 Load regulation ±3%
 Leakage Current N/A
 Hold up time 300uA typ. half cycle minimum at 120 VAC and 80%
 of rated load
 Protection Over-voltage, Over current and Short circuit
 protection: Auto-recovery

SAFETY

UL UL1310, Class 2 and UL48 certified
 cUL UL1310, Class 2 and UL48 certified
 CE

Model Number	Constant Voltage Mode			Model Number	Constant Current Mode		
	V (DC)	A (mA)	Watts		V (DC)	A (mA)	Watts
LP1040-36	36, ±5%	1100	40	LP1040-36-C0550	18~ 36	1100, ±5%	40
LP1040-24	24, ±5%	1670	40	LP1040-24-C0830	12~ 24	1670, ±5%	40
LP1040-22	22, ±5%	1820	40	LP1040-22-C0910	12 ~ 22	1820, ±5%	40
LP1040-18	18, ±5%	2220	40	LP1040-18-C1100	9 ~ 18	2200, ±5%	40
LP1040-15	15, ±5%	2680	40	LP1040-15-C1330	9 ~ 15	2680, ±5%	40
LP1040-13	13, ±5%	3080	40	LP1040-13-C1540	7 ~ 13	3080, ±5%	40
LP1040-12	12, ±5%	3330	40	LP1040-12-C1660	7 ~ 12	3330, ±5%	40
LP1040-10	10, ±5%	4000	40	LP1040-10-C2000	6 ~ 10	4000, ±5%	40
LP1040-09	9, ±5%	4450	40	LP1040-12-C4450	6 ~ 9	4450, ±5%	40

RECOMMEND APPLICATION SCHEMATICS



This configuration is based on LED with the following parameters:
 V : 3.0V ~ 3.5V I : 300mA ~ 350mA A. I : 300mA ~ 350mA
 Recommended value for R is 20 ohm, 3W