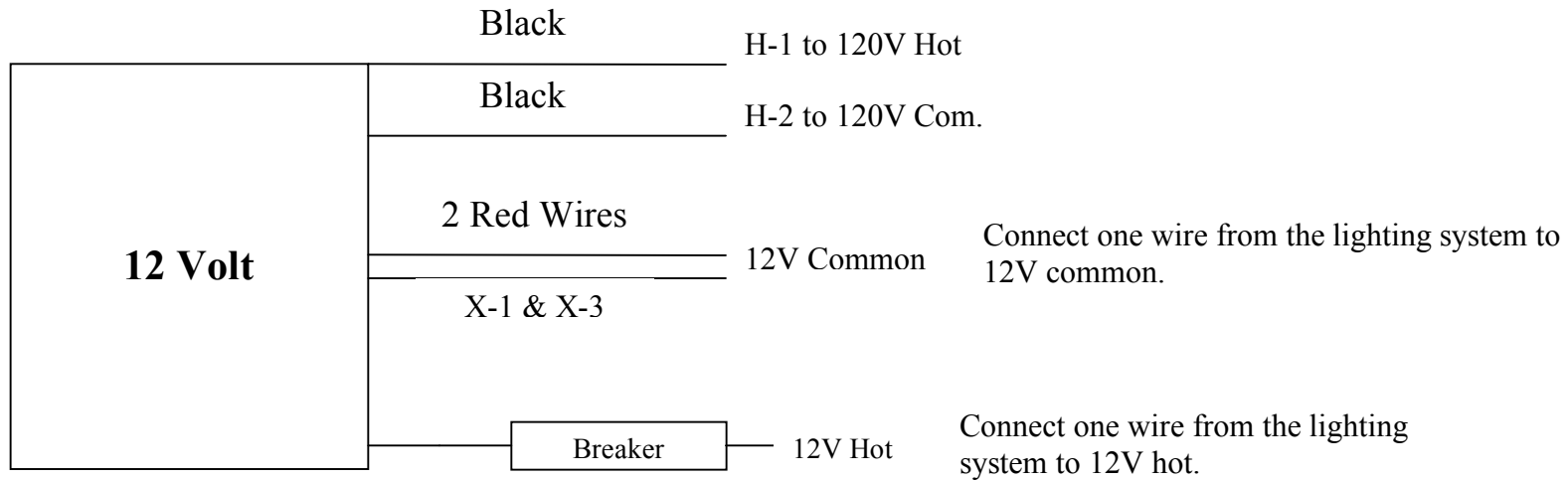
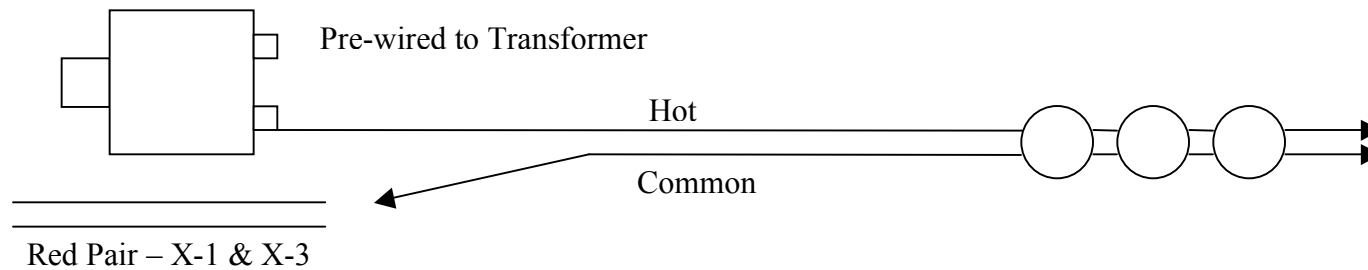
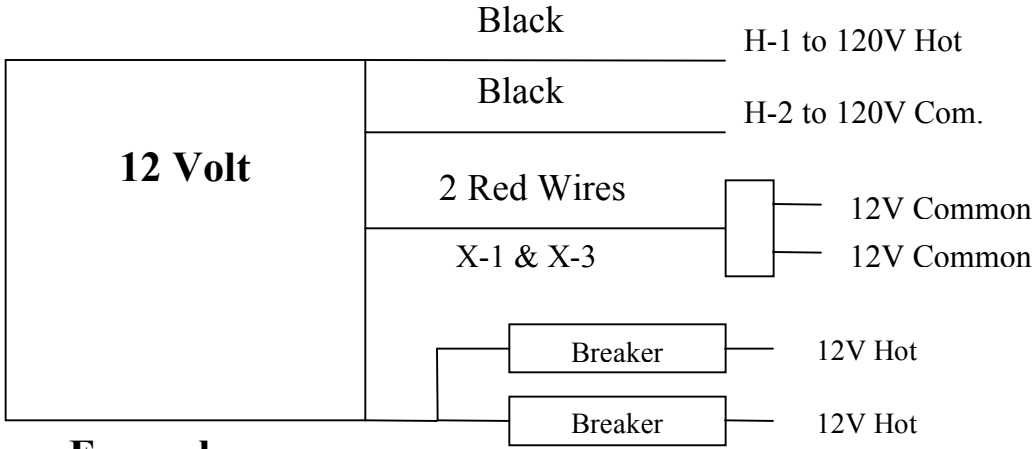


# 12 Volt – 1 Breakers



## Example



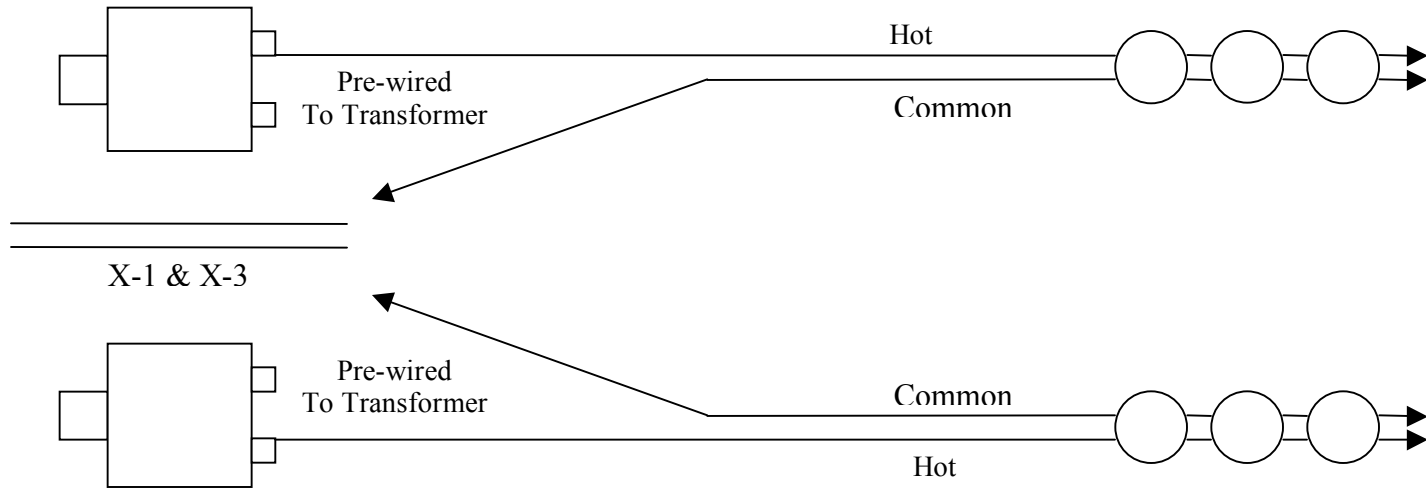


# 12 Volt – 2 Breakers

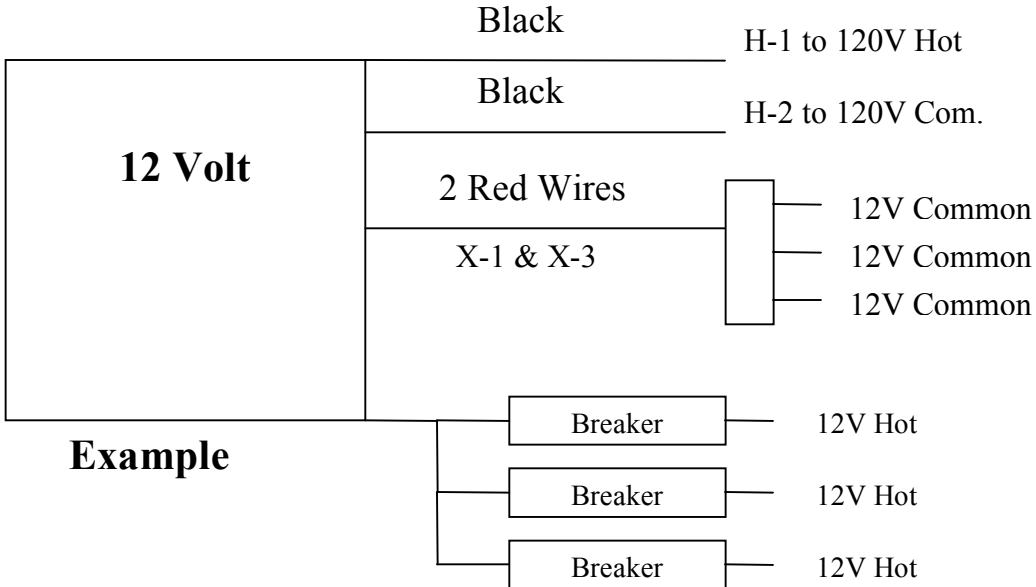
Connect one wire from the lighting system to 12V common.

Connect one wire from the lighting system to 12V hot.

**Example**



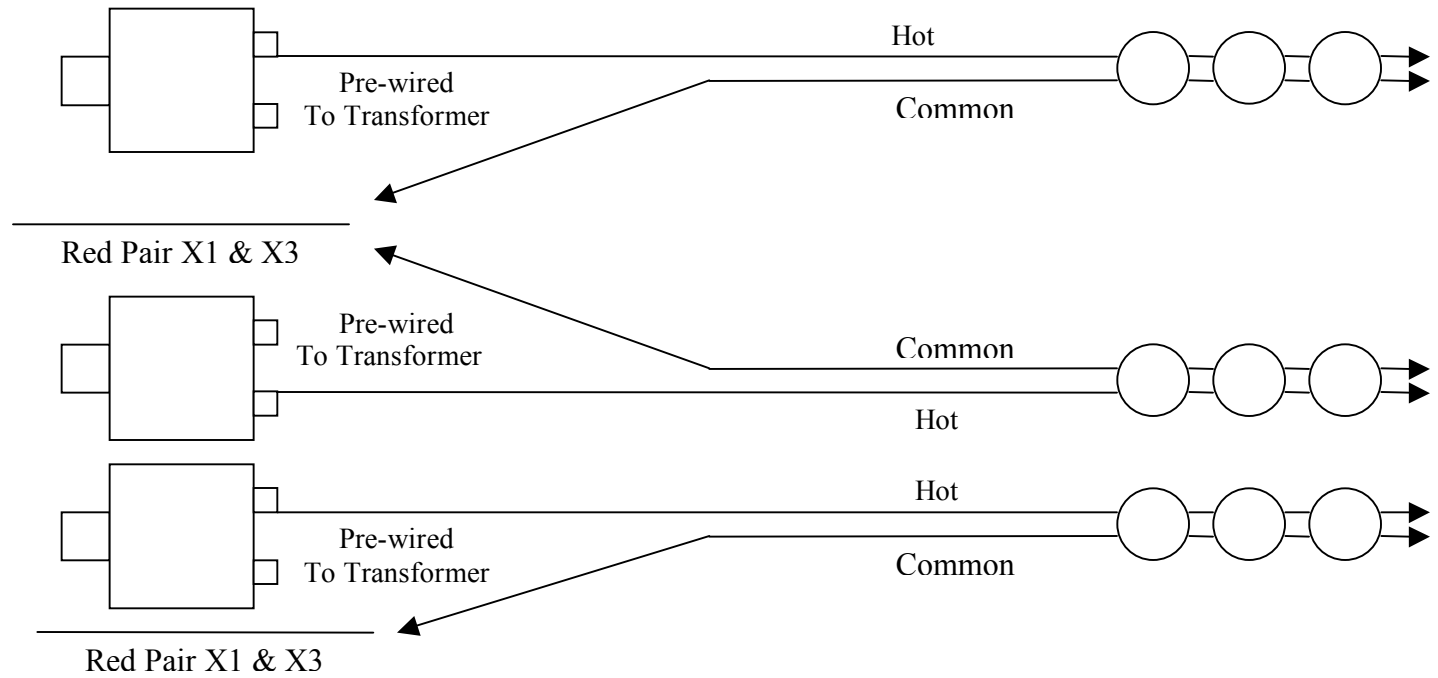
# 12 Volt – 3 Breakers



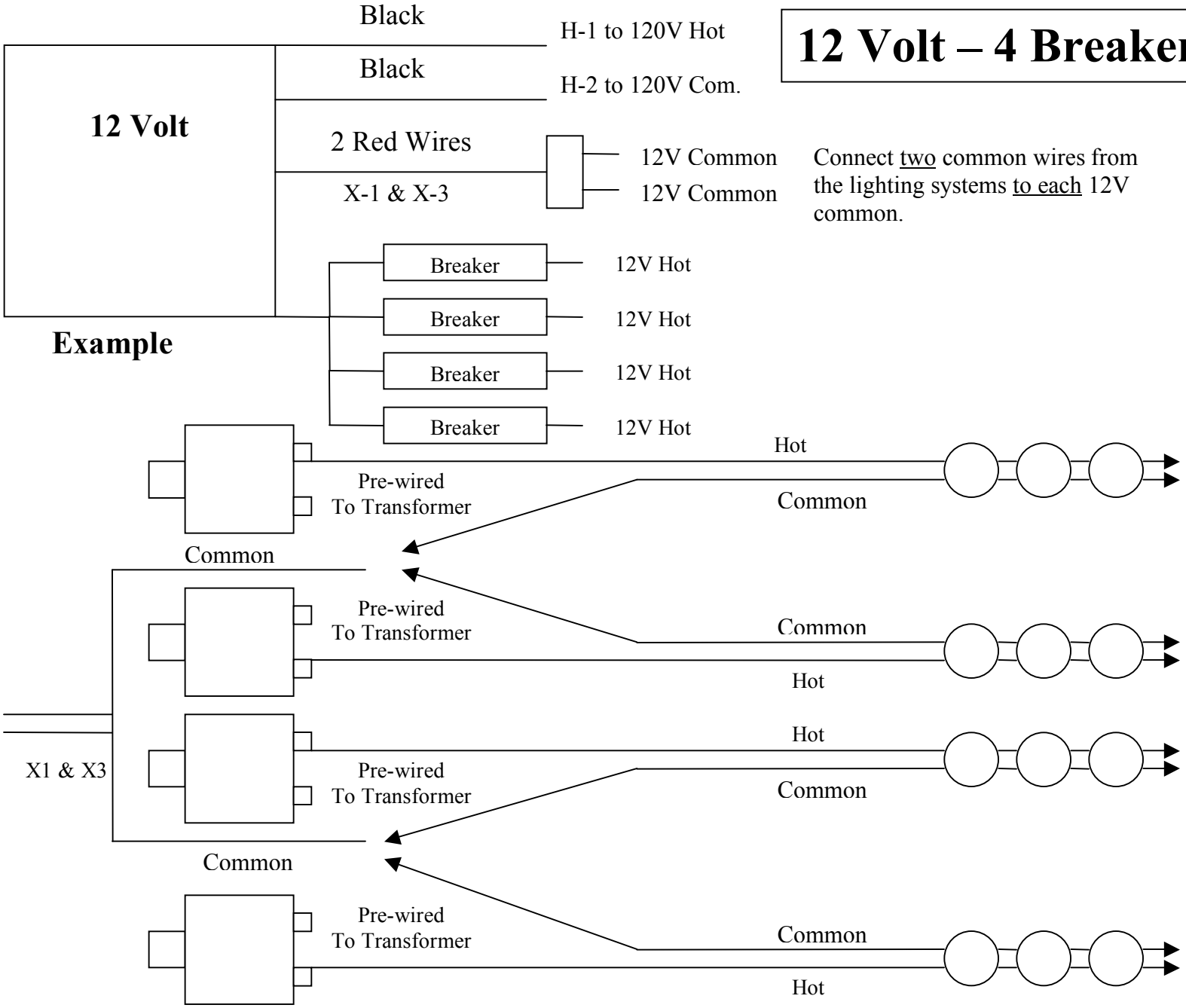
Connect one wire from the lighting system to 12V common.

Connect one wire from the lighting system to 12V hot.

**Example**



# 12 Volt – 4 Breakers



**Example**

## **Installation Instructions**

FOR 12 VOLT TRANSFORMER  
WITH CLASS 2 DISTRIBUTION SYSTEM INSTALLED

THIS TRANSFORMER HAS A *CLASS 2 DISTRIBUTION SYSTEM* INSTALLED. THIS COMBINATION IS DESIGNED TO REPLACE INDIVIDUAL, CLASS 2 PLUG IN TRANSFORMERS. THE SECONDARY TAPS ON THIS TRANSFORMER LIMIT INDIVIDUAL RUNS TO 5 AMPS, OR 60 WATTS @ 12 VOLTS. THIS TRANSFORMER HAS BEEN TESTED TO U.L. CLASS 2 STANDARDS AND CARRIES THE *E.T.L.* LISTING MARK.

### **PRIMARY WIRING INSTRUCTIONS:**

2 BLACK WIRES ON PRIMARY IN TRANSFORMER  
(120 VOLT INPUT)

CONNECT THE HOT INPUT WIRE TO H-1 AND THE COMMON TO H-2.

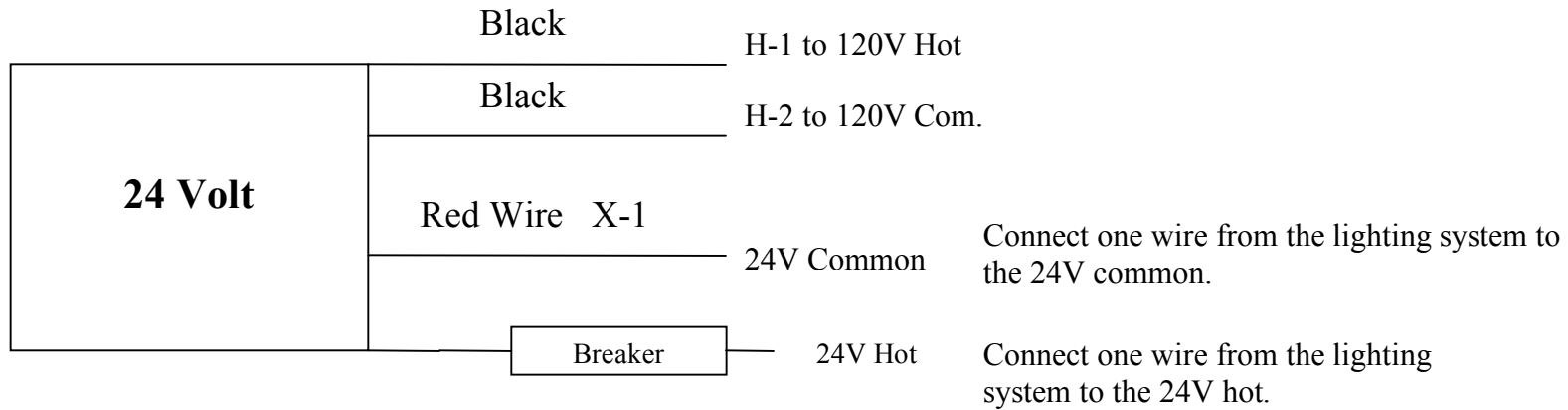
### **SECONDARY WIRING INSTRUCTIONS:**

FEED THE COMMON(S) FROM YOUR LIGHTING INTO THE TRANSFORMER AND CONNECT TO THE **X-1/X-3** PAIR INSIDE THE TRANSFORMER CASE. THEY ARE TAPED TOGETHER AND CONNECTED BY A WIRE NUT. THEN, CONNECT THE HOT LEAD(S) INDIVIDUALLY TO THE SCREW TERMINALS. MORE THAN ONE HOT MAY BE CONNECTED TO EACH CONNECTION POINT, BUT THE TOTAL POWER AVAILABLE THROUGH EACH BREAKER IS 5 AMPS, OR 60 WATTS.

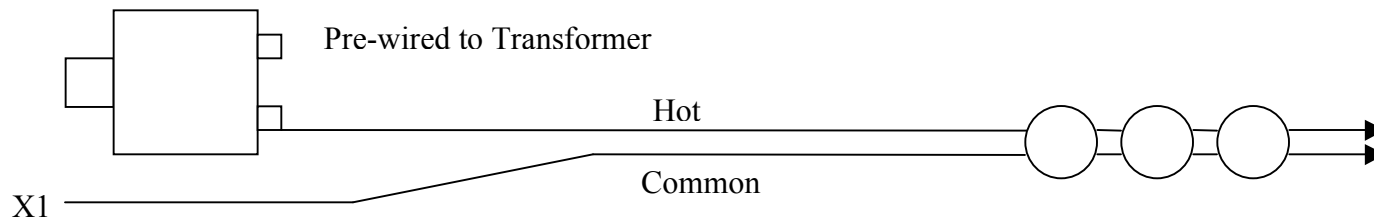
**\*\*CAUTION\*\***

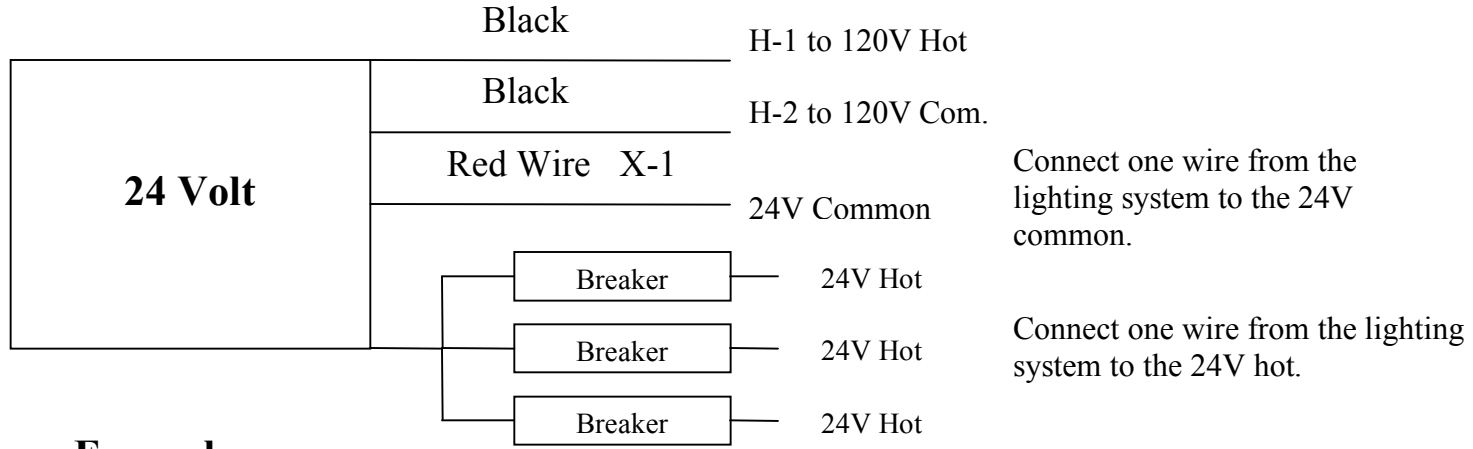
**DISCONNECT THE TRANSFORMER BEFORE SERVICING  
THE TRANSFORMER OR LIGHTING SYSTEM.**

# 24 Volt – 1 Breakers

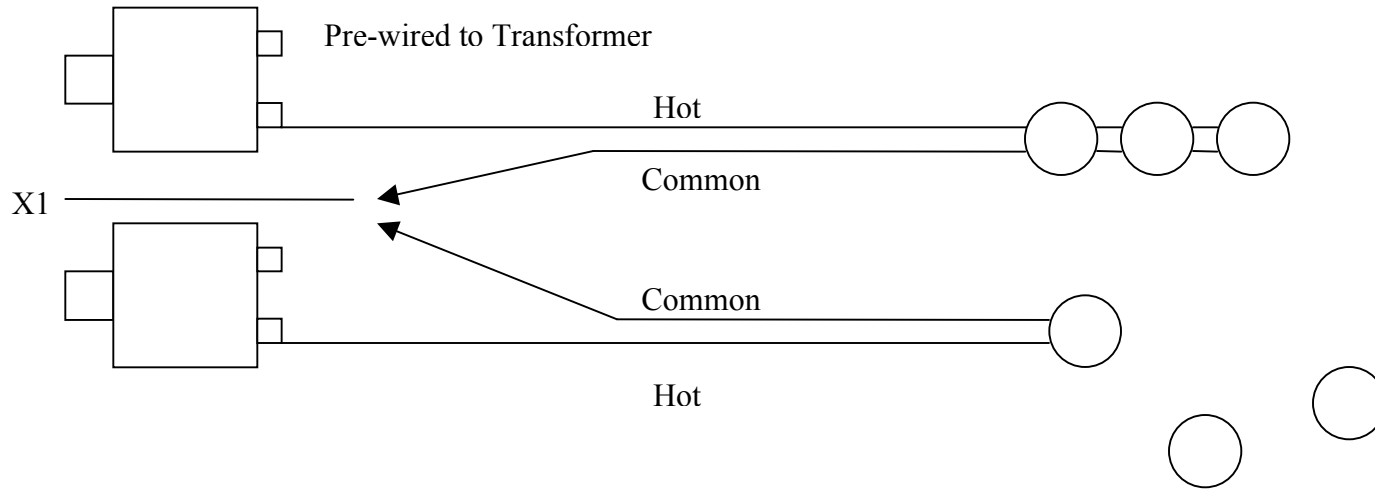


## Example

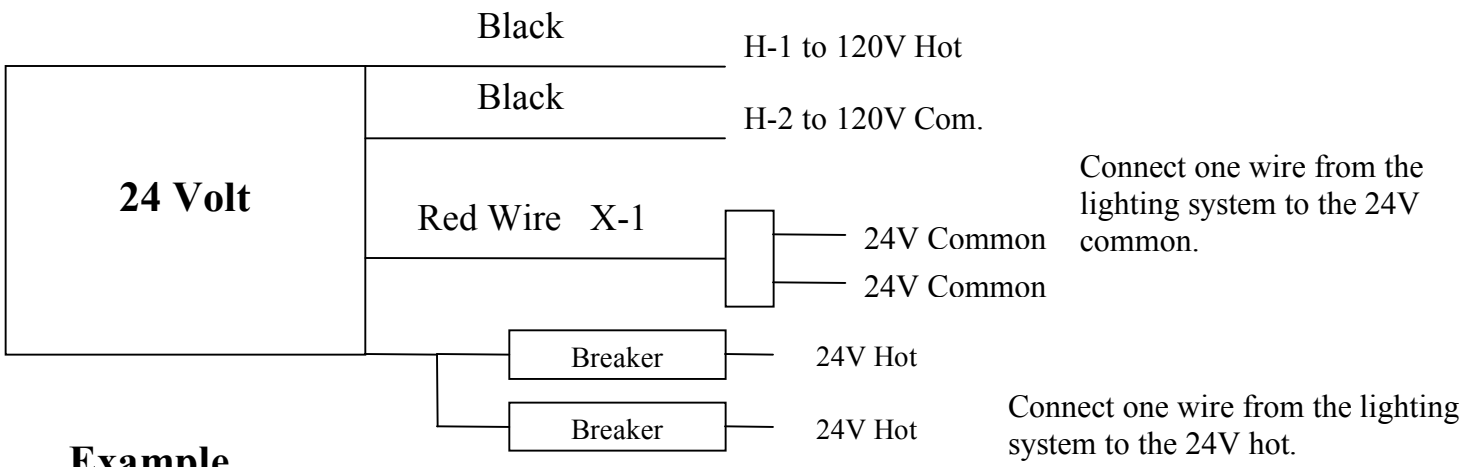




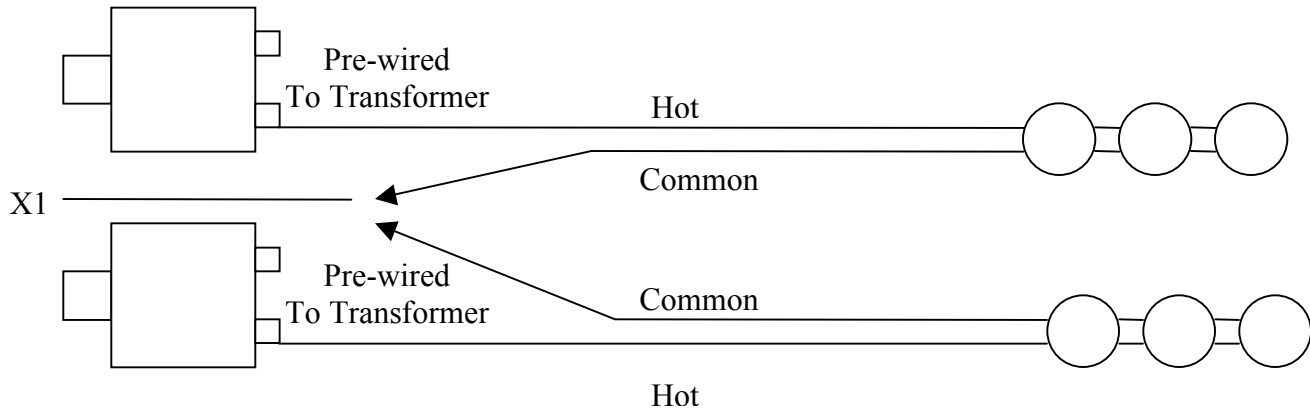
**Example**

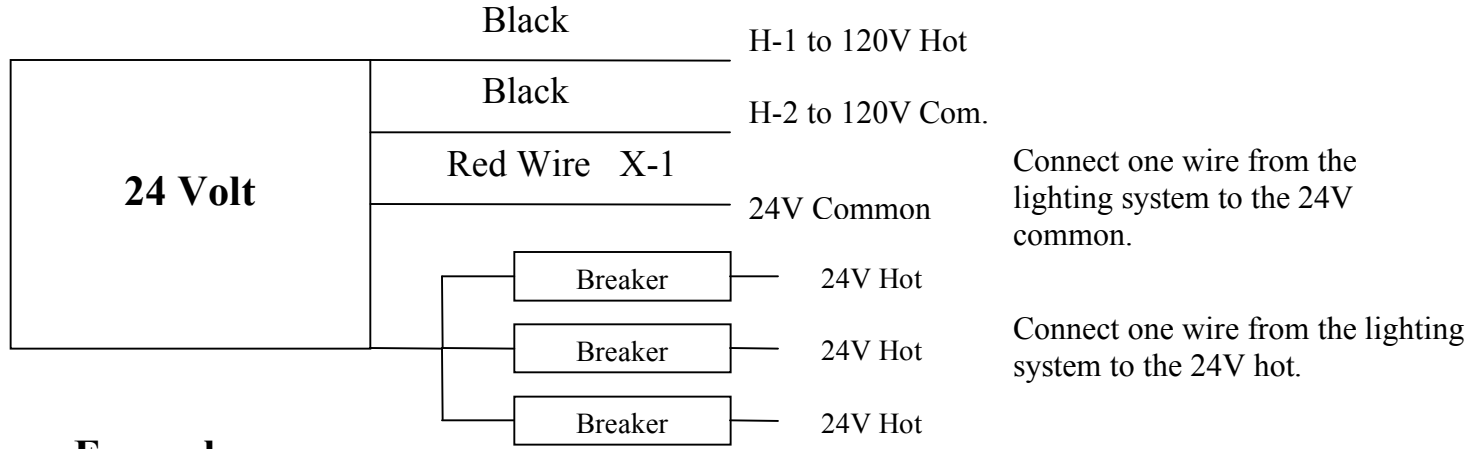


# 24 Volt – 2 Breakers

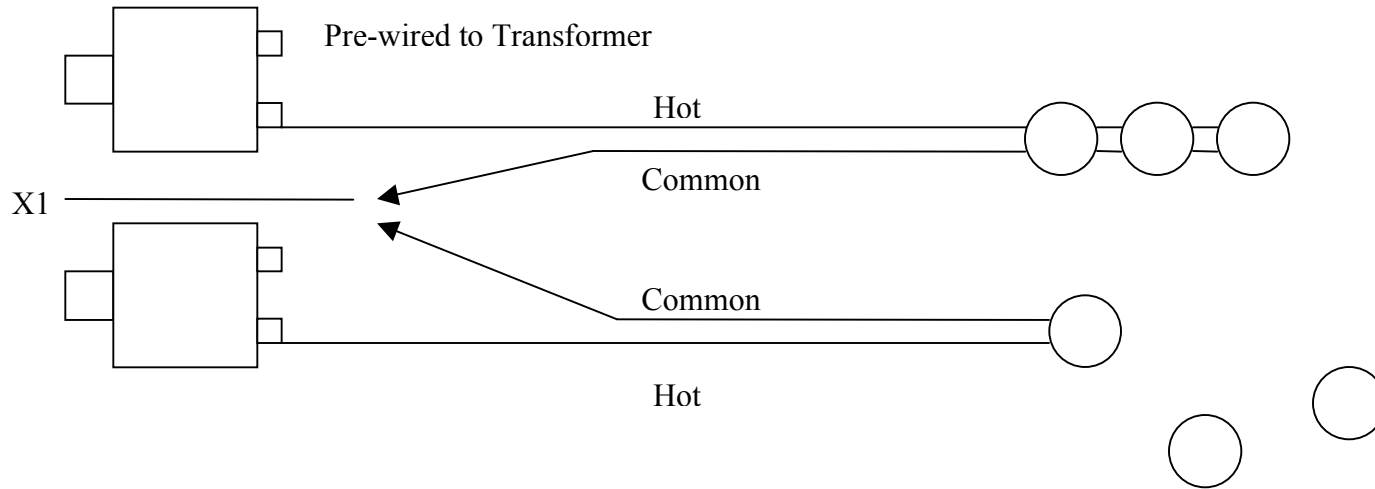


## Example





**Example**



## **Installation Instructions**

FOR 24 VOLT TRANSFORMER  
WITH CLASS 2 DISTRIBUTION SYSTEM INSTALLED

THIS TRANSFORMER HAS A *CLASS 2 DISTRIBUTION SYSTEM* INSTALLED. THIS COMBINATION IS DESIGNED TO REPLACE INDIVIDUAL, CLASS 2 PLUG IN TRANSFORMERS. THE SECONDARY TAPS ON THIS TRANSFORMER LIMIT INDIVIDUAL RUNS TO 4 AMPS, OR 96 WATTS @ 24 VOLTS. THIS TRANSFORMER HAS BEEN TESTED TO U.L. CLASS 2 STANDARDS AND CARRIES THE *E.T.L.* LISTING MARK.

### **PRIMARY WIRING INSTRUCTIONS:**

2 BLACK WIRES ON PRIMARY IN TRANSFORMER  
(120 VOLT INPUT)

CONNECT THE HOT INPUT WIRE TO H-1 AND THE COMMON TO H-2.

### **SECONDARY WIRING INSTRUCTIONS:**

FEEED THE COMMON(S) FROM YOUR LIGHTING INTO THE TRANSFORMER AND CONNECT TO THE **X-1** WIRE INSIDE THE TRANSFORMER CASE. THEN, CONNECT THE HOT LEAD(S) INDIVIDUALLY TO THE SCREW TERMINALS. MORE THAN ONE HOT MAY BE CONNECTED TO EACH CONNECTION POINT, BUT THE TOTAL  
POWER AVAILABLE THROUGH EACH BREAKER IS 4 AMPS, OR 96 WATTS.

**\*\*CAUTION\*\***

**DISCONNECT THE TRANSFORMER BEFORE SERVICING  
THE TRANSFORMER OR LIGHTING SYSTEM.**